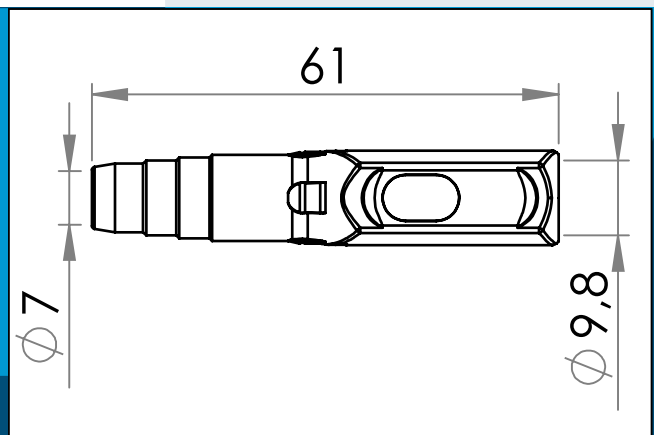




carmo
Your partner in plastic components

09-796 Needle-free Sample Port Connector for 10 mm tubing, Stepped

Needle-free Sample port connector with steps. For uninterrupted sampling of fluid without the need for a needle. Re-seals after use. For tubing with approx. 10 mm OD



Nominal measurements in mm

Stepped Sampleport connector for tubing with approx. 10 mm OD. For uninterrupted sampling of fluid. Allows sampling **without the need for a needle**. Re-seals after use. Designed to allow for easy cleaning. Moulded in a light blue colour to allow nurses to identify the needle-free version from the standard version.

Typically used for medical and Urine bags.

Materials:	PVC+TPE
Std. packaging:	1 x 1.500
Fits with:	09-545
Related products:	09-784, 09-785, 09-786, 09-794, 09-795

Interested in other colors or materials? Please call for quote...



Carmo A/S, Hojvangen 19, DK-3060 Espergaerde, Denmark
T: +45 4912 2100, F: +45 4912 2199, E: denmark@carmo.dk
www.carmo.dk

More info <http://www.carmo.dk/en/medical-components/sample-port-connectors-caps/09-796/>

All geometrical dimensions and functional information are indicative. (Unless tolerances are specified). Carmo is not responsible for misprints and technical changes.
2021-06-21 07:49:46 UTC