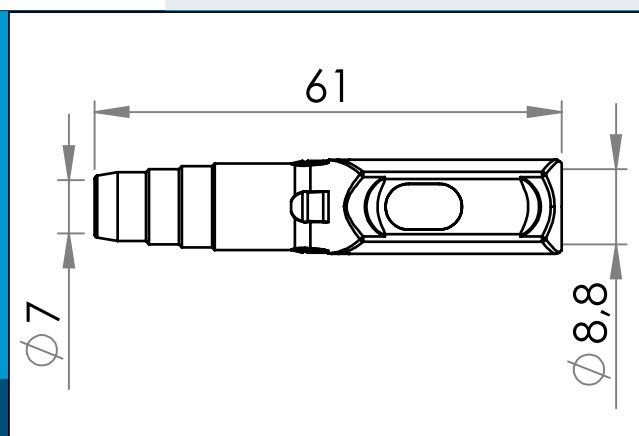




**carmo**  
Your partner in plastic components

## 09-795 Needle-free Sample Port Connector for 9 mm tubing, Stepped

Needle-free Sample port connector with steps. For uninterrupted sampling of fluid without the need for a needle. Re-seals after use. For tubing with approx. 9 mm OD



Nominal measurements in mm

Stepped Sampleport connector for tubing with approx. 9mm OD. For uninterrupted sampling of fluid. Allows sampling **without the need for a needle**. Re-seals after use. Designed to allow for easy cleaning. Moulded in a light blue colour to allow nurses to identify the needle-free version from the standard version. There is also a version with a barbed fitting rather than a stepped fitting (09-792)

Materials:	PVC+TPE
Std. packaging:	1 x 1.500
Fits with:	09-545
Related products:	09-784, 09-785, 09-786, 09-794, 09-796

Interested in other colors or materials? Please call for quote...



Carmo A/S, Hoejvangen 19, DK-3060 Espergaerde, Denmark  
T: +45 4912 2100, F: +45 4912 2199, E: [denmark@carmo.dk](mailto:denmark@carmo.dk)  
[www.carmo.dk](http://www.carmo.dk)

More info <http://www.carmo.dk/en/medical-components/sample-port-connectors-caps/09-795/>

All geometrical dimensions and functional information are indicative. (Unless tolerances are specified). Carmo is not responsible for misprints and technical changes.  
2021-06-15 04:44:19 UTC