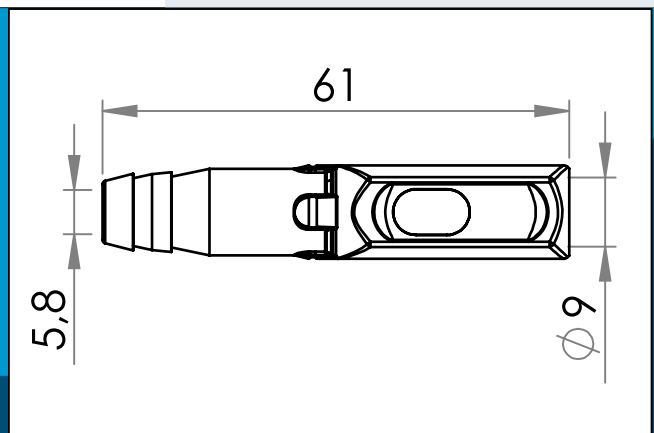




carmo
Your partner in plastic components

09-792 Needle-free Sample Port Connector for 9 mm tubing, barbed

Needle-free Sample port connector with barbed fitting. For uninterrupted sampling of fluid without the need for a needle. Re-seals after use. For tubing with approx. 9 mm OD. Barbed end, optimised for catheters with internal ribs, e.g. Rusch



Nominal measurements in mm

Barbed Sampleport connector for tubing with approx. 9mm OD. For uninterrupted sampling of fluid. Allows sampling **without the need for a needle**. Re-seals after use. Designed to allow for easy cleaning. Moulded in a light blue colour to allow nurses to identify the needle-free version from the standard version. There is also a version with a stepped fitting rather than a barbed fitting (09-795)

Materials: PVC+TPE
Std. packaging: 1 x 1.500
Fits with: 09-545
Related products: 09-785,09-786,09-794,09-795,09-796

Interested in other colors or materials? Please call for quote...



Carmo A/S, Hoejvangen 19, DK-3060 Espergaerde, Denmark
T: +45 4912 2100, F: +45 4912 2199, E: denmark@carmo.dk
www.carmo.dk

More info <http://www.carmo.dk/en/medical-components/sample-port-connectors-caps/09-792/>

All geometrical dimensions and functional information are indicative. (Unless tolerances are specified). Carmo is not responsible for misprints and technical changes.
2022-08-18 22:29:39 UTC