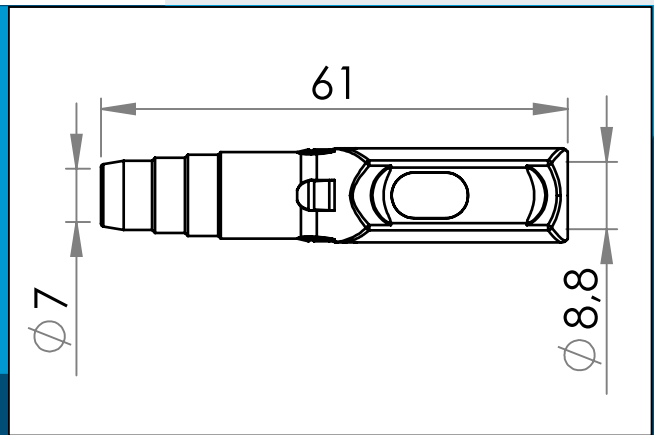




carmo
Your partner in plastic components

09-785 Sample Port Connector for 9 mm tubing, Stepped

Connector for urine bags allowing uninterrupted sampling of fluid. Re-seals after use. Designed for ease of use and security.



Nominal measurements in mm

Carmo sample port connectors allows nurses to take a sample on a patient without breaking the fluid line and risk contamination. Sample port connectors are available in a standard version (09-785) for use with syringes and needle, and a revolutionary and safer needle-free version (09-795). Re-seals after use. Designed for easy cleaning. There is also a version with a barbed fitting rather than a stepped fitting (09-782)

Materials: PVC+TPE
Std. packaging: 1 x 1.500
Fits with: 09-545
Related products: 09-784,09-786,09-794,09-795,09-796

Interested in other colors or materials? Please call for quote...



Carmo A/S, Hoejvangen 19, DK-3060 Espergaerde, Denmark
T: +45 4912 2100, F: +45 4912 2199, E: denmark@carmo.dk
www.carmo.dk

More info <http://www.carmo.dk/en/medical-components/sample-port-connectors-caps/09-785/>

All geometrical dimensions and functional information are indicative. (Unless tolerances are specified). Carmo is not responsible for misprints and technical changes.
2024-02-28 10:37:06 UTC