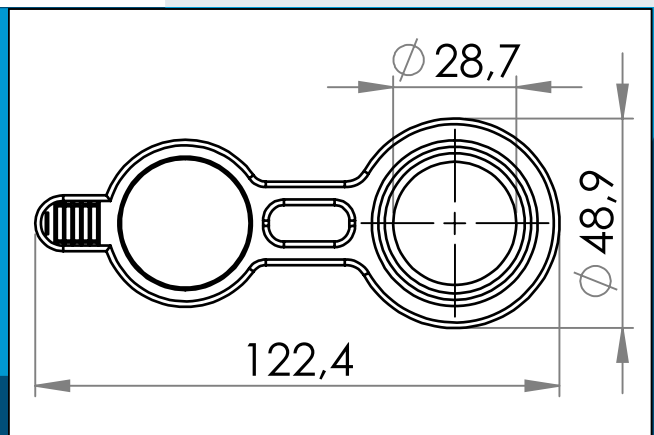




carmo
Your partner in plastic components

09-677 PVC Filler/Drain port, 28 mm

28 mm filler and drain valve for use in medical and blood bags and other applications needing a quick filling or drainage of the container.



Nominal measurements in mm

HF/ultrasonic weldable fill/drain valve for bags, Ø28 mm aperture

Typically used for medical and blood bags.

Carmo's unique PVC/PUR blend secures optimal bonding with PUR based substrates.

Materials: PVC, PVC/PUR
Std. packaging: 1 x 700
Related products: 09-675, 03-671

Interested in other colors or materials? Please call for quote...



Carmo A/S, Hojvangen 19, DK-3060 Espergaerde, Denmark
T: +45 4912 2100, F: +45 4912 2199, E: denmark@carmo.dk
www.carmo.dk

More info <http://www.carmo.dk/en/medical-components/filler-valve/09-677/>

All geometrical dimensions and functional information are indicative. (Unless tolerances are specified). Carmo is not responsible for misprints and technical changes.
2021-12-01 14:52:03 UTC