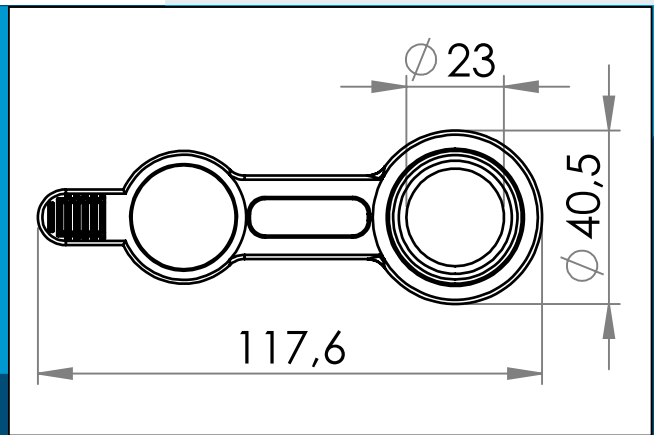




carmo
Your partner in plastic components

09-675 PVC Drain / Filler port , 23 mm

23 mm filler and drain valve for use in medical and blood bags



Nominal measurements in mm

HF/ultrasonic weldable fill/drain valve for bags, Ø23 mm aperture

Drain / Filler port typically used for medical and blood bags.

Materials: PVC, PVC/PUR
Std. packaging: 1 x 1.000
Related products: 09-677, 03-671

Interested in other colors or materials? Please call for quote...



Carmo A/S, Hoejvangen 19, DK-3060 Espergaerde, Denmark
T: +45 4912 2100, F: +45 4912 2199, E: denmark@carmo.dk
www.carmo.dk

More info <http://www.carmo.dk/en/medical-components/filler-valve/09-675/>

All geometrical dimensions and functional information are indicative. (Unless tolerances are specified). Carmo is not responsible for misprints and technical changes.
2024-07-24 15:10:46 UTC