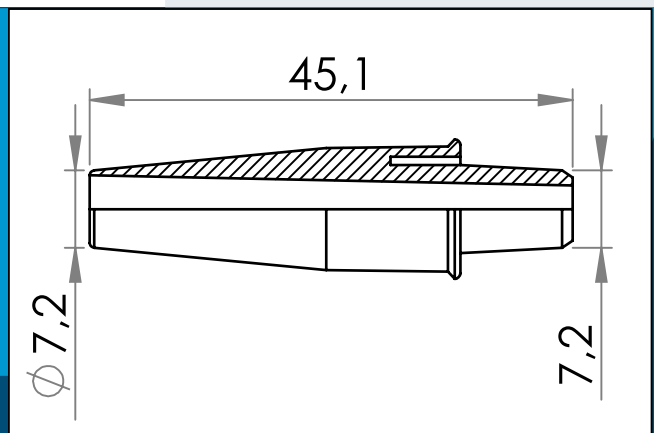




**carmo**  
Your partner in plastic components

## 09-641 Connector, Tapered, Medium

For use with inlet tube size approx. Ø7-8 mm ID, recess for terminating the tube end. Outlet tube approx. Ø9 - Ø12 mm ID



Nominal measurements in mm

For use with inlet tube size approx. Ø7-8 mm ID, recess for terminating the tube end. Outlet tube approx. Ø9 - Ø12 mm ID

Typically used for medical tube in urine bags and other medical bags.

Materials: PP  
Std. packaging: 1 x 5.000  
Fits with: 09-538,09-542

Interested in other colors or materials? Please call for quote...



Carmo A/S, Hoejvangen 19, DK-3060 Espergaerde, Denmark  
T: +45 4912 2100, F: +45 4912 2199, E: denmark@carmo.dk  
www.carmo.dk

More info <http://www.carmo.dk/en/medical-components/connectors-caps/09-641/>

All geometrical dimensions and functional information are indicative. (Unless tolerances are specified). Carmo is not responsible for misprints and technical changes.  
2024-04-25 01:48:38 UTC