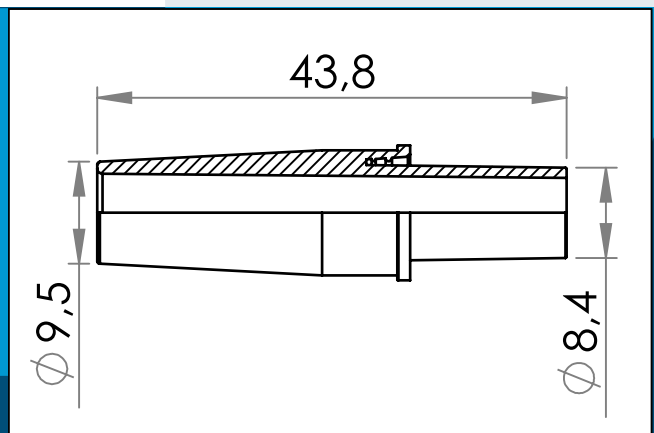




**carmo**  
Your partner in plastic components

## 09-637 Connector, Tapered, large

For use with inlet tube size approx.  $\text{\O}6,3$  mm (1/4") ID, recess for terminating the tube end. Outlet tube approx.  $\text{\O}9,5$  -  $\text{\O}11$  mm ID



Nominal measurements in mm

For use with inlet tube size approx.  $\text{\O}6,3$  mm (1/4") ID, recess for terminating the tube end. Outlet tube approx.  $\text{\O}9,5$  -  $\text{\O}11$  mm ID

Typically used for medical and Urine bags.

Materials: PP, PVC  
Std. packaging: 1 x 3.000  
Fits with: 09-542,09-538

Interested in other colors or materials? Please call for quote...



Carmo A/S, Hoejvangen 19, DK-3060 Espergaerde, Denmark  
T: +45 4912 2100, F: +45 4912 2199, E: [denmark@carmo.dk](mailto:denmark@carmo.dk)  
[www.carmo.dk](http://www.carmo.dk)

More info <http://www.carmo.dk/en/medical-components/connectors-caps/09-637/>

All geometrical dimensions and functional information are indicative. (Unless tolerances are specified). Carmo is not responsible for misprints and technical changes.  
2023-06-10 22:24:53 UTC