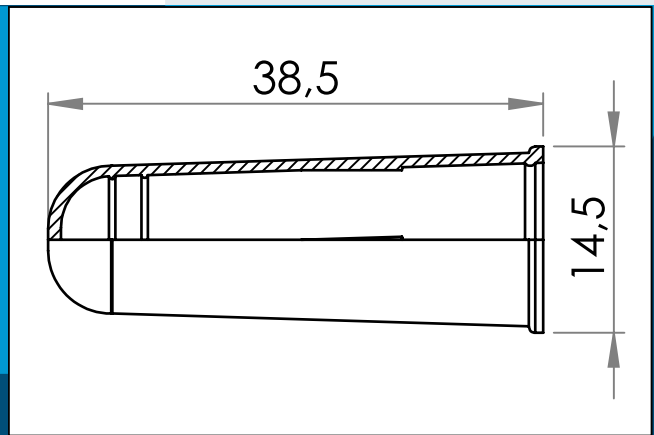




carmo
Your partner in plastic components

09-538 PEHD Cap for connector 09-739

Click on protection cap for connector 09-739 used on urine bags and medical bags



Nominal measurements in mm

Click on protection cap for connector 09-739. Typically used for tube connections on urine bags and other medical bags. Can be removed and re-fitted with one hand.

Materials: PELD
Std. packaging: 1 x 10.000
Fits with: 09-739,09-643,09-637,09-641
Related products: 09-537,09-542,09-545

Interested in other colors or materials? Please call for quote...



Carmo A/S, Hoejvangen 19, DK-3060 Espergaerde, Denmark
T: +45 4912 2100, F: +45 4912 2199, E: denmark@carmo.dk
www.carmo.dk

More info <http://www.carmo.dk/en/medical-components/connectors-caps/09-538/>

All geometrical dimensions and functional information are indicative. (Unless tolerances are specified). Carmo is not responsible for misprints and technical changes.
2021-09-24 02:51:26 UTC