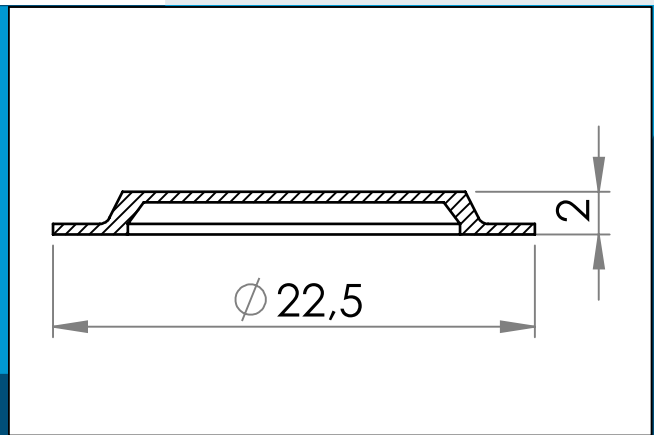




carmo
Your partner in plastic components

09-143 PVC/PUR Breather Eyelet, 1/2"

Weldable breather eyelet for medical bags and industrial use.



Nominal measurements in mm

Weldable breather eyelet for medical bags and also industrial use. Flange $\text{Ø} 22.5$ mm Inner $\text{Ø} 16.0$ mm. Produced in HF Weldable PVC.

Both material and geometry of the Breather eyelet are optimized for HF welding / Ultrasonic welding. Welding times of 1.5 – 2 seconds are typical, depending on the HF generator used and the thickness of the material used.

Materials: PVC, PVC/PUR
Std. packaging: 5 x 10.000

Interested in other colors or materials? Please call for quote...



Carmo A/S, Hoejvangen 19, DK-3060 Espergaerde, Denmark
T: +45 4912 2100, F: +45 4912 2199, E: denmark@carmo.dk
www.carmo.dk

More info <http://www.carmo.dk/en/medical-components/miscellaneous/09-143/>

All geometrical dimensions and functional information are indicative. (Unless tolerances are specified). Carmo is not responsible for misprints and technical changes.
2024-06-17 20:34:56 UTC