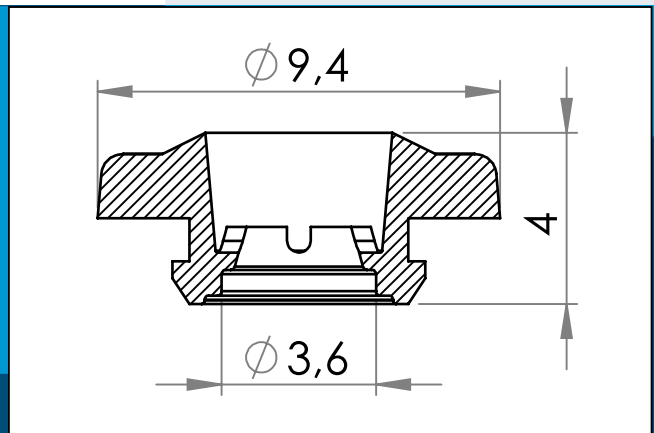




carmo
Your partner in plastic components

09-132 POM Security Fastener, female

Single use fastener for hospital ID bracelets etc. Female part



Nominal measurements in mm

Single use fastener for hospital ID bracelets etc. Cannot be re-used once the button has been closed. Female part

Materials: POM
Std. packaging: 4 x 25.000
Fits with: 09-032

Interested in other colors or materials? Please call for quote...



Carmo A/S, Hoejvangen 19, DK-3060 Espergaerde, Denmark
T: +45 4912 2100, F: +45 4912 2199, E: denmark@carmo.dk
www.carmo.dk

More info <http://www.carmo.dk/en/technical-components/buttons/security-snap-fasteners/09-132/>

All geometrical dimensions and functional information are indicative. (Unless tolerances are specified). Carmo is not responsible for misprints and technical changes.
2021-12-01 16:10:29 UTC