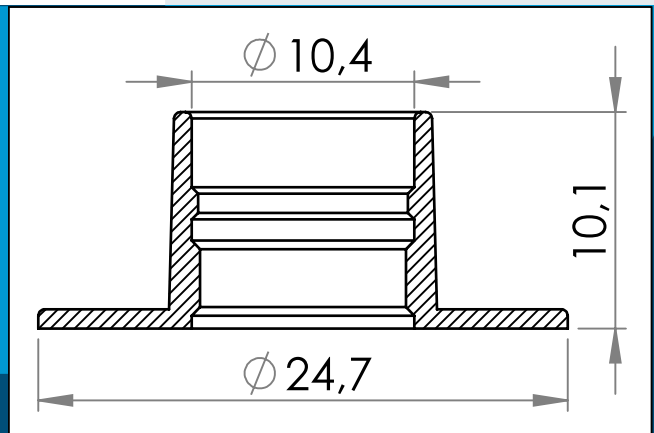




carmo
Your partner in plastic components

09-119 Medical Tubing Flanges

Straight, weldable, tubing flange for medical and other applications.
Intended for 10mm tubing



Nominal measurements in mm

Straight, weldable, tubing flange for medical and other applications

Materials: PVC, PVC/PUR
Std. packaging: 4 x 2.000
Related products: 09-219, 08-078, 09-143

Interested in other colors or materials? Please call for quote...



Carmo A/S, Hoejvangen 19, DK-3060 Espergaerde, Denmark
T: +45 4912 2100, F: +45 4912 2199, E: denmark@carmo.dk
www.carmo.dk

More info <http://www.carmo.dk/en/medical-components/tube-flanges/09-119/>

All geometrical dimensions and functional information are indicative. (Unless tolerances are specified). Carmo is not responsible for misprints and technical changes.
2021-10-16 03:52:14 UTC