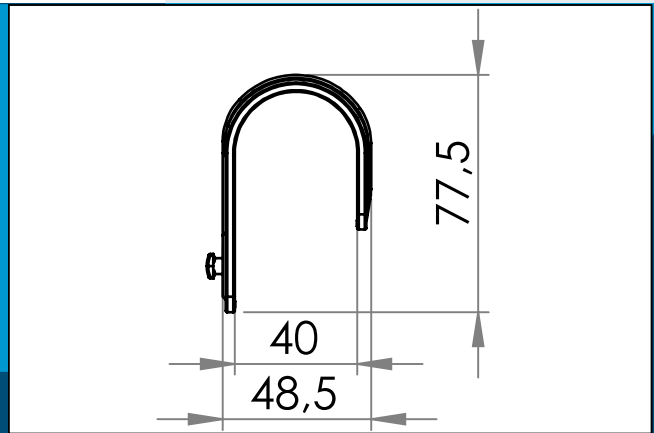




carmo
Your partner in plastic components

09-112 Hook for hanger for medical bags

Hook for end of bed/wall urine bag hanger. For many types of medical bags and urine bags.



Nominal measurements in mm

Hook for end of bed/wall urine bag hanger. For many types of medical bags and urine bags.

Hanger (09-114) must be bought separately.

Carmo's **hangers for urine bags** are supplied as 2 parts, which must be assembled before use: A bar on which the bag is placed and a clamp to go over the bedframe.

The bar is made with slits making velcro band an option as alternative to the clamp.

Carmo hangers are designed so that a dripchamber can be used in connection with the hangers.

The clamp is designed so that it can act as a hoseclamp during removal of the filled bag.

Carmo hangers are available in PP or PA materials. PA in case the hangers shall be sterilized.

| | |
|-------------------|-----------------------------|
| Materials: | PA, PP |
| Std. packaging: | 1 x 500 |
| Fits with: | 09-113,09-114 |
| Related products: | 09-115,09-110,09-113,09-114 |

Interested in other colors or materials? Please call for quote...



Carmo A/S, Hoejvangen 19, DK-3060 Espergaerde, Denmark
T: +45 4912 2100, F: +45 4912 2199, E: denmark@carmo.dk
www.carmo.dk

More info <http://www.carmo.dk/en/medical-components/urine-bag-hangers/09-112/>

All geometrical dimensions and functional information are indicative. (Unless tolerances are specified). Carmo is not responsible for misprints and technical changes.
2022-11-27 05:58:09 UTC