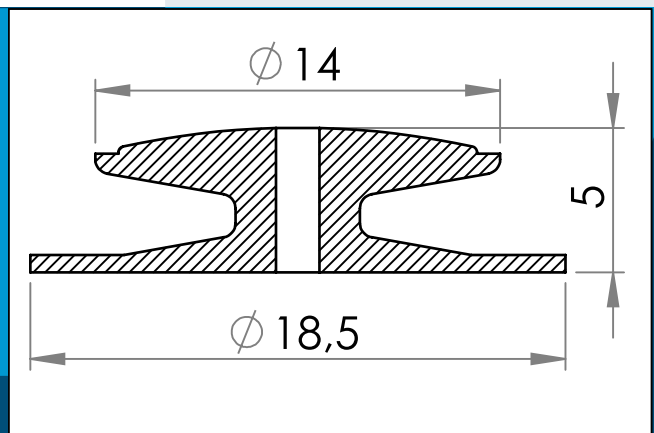




carmo
Your partner in plastic components

09-099 PVC Button 13.9 mm

HF/ultrasonic weldable button



Nominal measurements in mm

HF/ultrasonic weldable button.

Both the material and the geometry of the PVC button are optimized for High frequency welding. Welding times of 1.5 – 2 seconds are typical, depending on the HF generator used and the thickness of the material used.

Materials: PVC
Std. packaging: 1 x 25.000
Related products: 01-055, 01-112

Interested in other colors or materials? Please call for quote...



Carmo A/S, Højvangen 19, DK-3060 Espergærde, Denmark
T: +45 4912 2100, F: +45 4912 2199, E: denmark@carmo.dk
www.carmo.dk

More info <http://www.carmo.dk/en/technical-components/buttons/plastic-buttons-buttonholes/09-099/>

All geometrical dimensions and functional information are indicative. (Unless tolerances are specified). Carmo is not responsible for misprints and technical changes.
2022-09-29 21:13:53 UTC