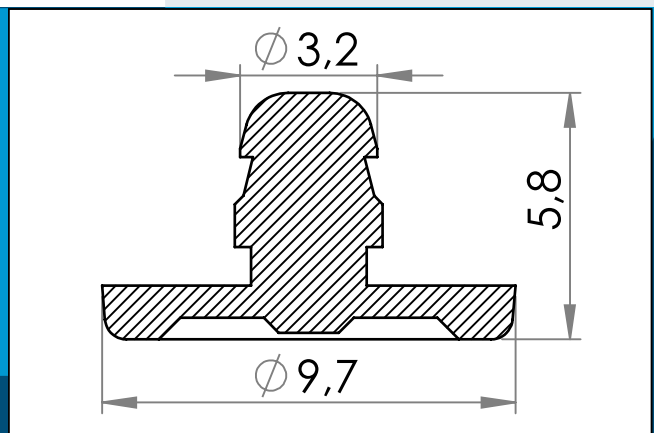




carmo
Your partner in plastic components

09-032 POM Security Fastener, male

Single use fastener for hospital ID bracelets etc. Male part



Nominal measurements in mm

Single use fastener for hospital ID bracelets etc. Cannot be re-used. Male part

Materials: POM
Std. packaging: 4 x 25.000
Fits with: 09-132

Interested in other colors or materials? Please call for quote...



Carmo A/S, Hoejvangen 19, DK-3060 Espergaerde, Denmark
T: +45 4912 2100, F: +45 4912 2199, E: denmark@carmo.dk
www.carmo.dk

More info <http://www.carmo.dk/en/technical-components/buttons/security-snap-fasteners/09-032/>

All geometrical dimensions and functional information are indicative. (Unless tolerances are specified). Carmo is not responsible for misprints and technical changes.
2021-06-21 06:37:29 UTC