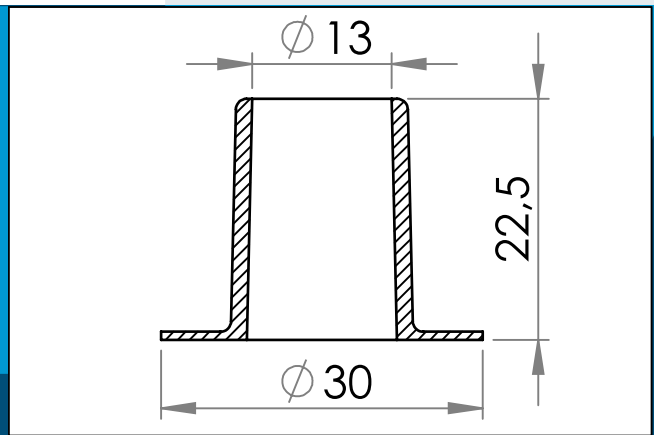




**carmo**  
Your partner in plastic components

## 08-078 Weldable Tubing Flange for 13 mm tube

Weldable tubing flange for connecting tubes to foil, bags, containers etc. Will fit tubes with OD of approx. 13 mm



Nominal measurements in mm

Weldable tubing flange for connecting tubes to foil, bags, containers etc. Will fit tubes with OD of approx. 13 mm

Both the material and the geometry of the Tubing flange are optimized for High frequency and Ultrasonic welding. Welding times of 1.5 – 2 seconds are typical, depending on the HF generator used and the thickness of the material used.

Materials: PVC  
Std. packaging: 1 x 3.000  
Related products: 09-119, 09-219, 09-143

Interested in other colors or materials? Please call for quote...



Carmo A/S, Hojvangen 19, DK-3060 Espergaerde, Denmark  
T: +45 4912 2100, F: +45 4912 2199, E: [denmark@carmo.dk](mailto:denmark@carmo.dk)  
[www.carmo.dk](http://www.carmo.dk)

More info <http://www.carmo.dk/en/medical-components/tube-flanges/08-078/>

All geometrical dimensions and functional information are indicative. (Unless tolerances are specified). Carmo is not responsible for misprints and technical changes.  
2022-05-23 18:44:43 UTC