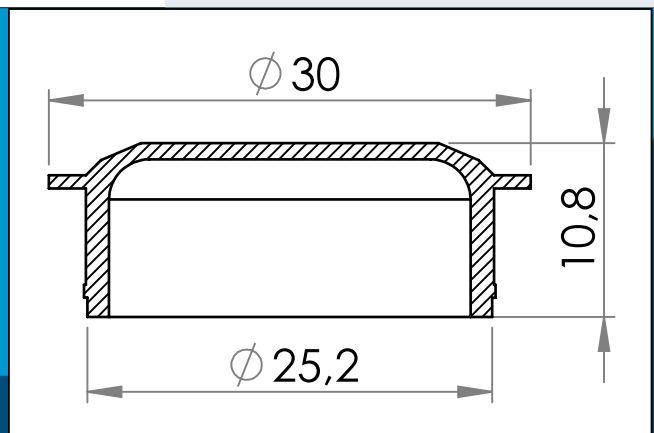




carmo
Your partner in plastic components

06-216 PEHD Cap for shroud 06-215

Cap to cover bolt installation holes. Secure press fit.



Nominal measurements in mm

Cap to cover bolt installation holes. Secure press fit.

Materials: PEHD
Std. packaging: 4 x 1.400
Fits with: 06-215

Interested in other colors or materials? Please call for quote...



Carmo A/S, Hoejvangen 19, DK-3060 Espergaerde, Denmark
T: +45 4912 2100, F: +45 4912 2199, E: denmark@carmo.dk
www.carmo.dk

More info <http://www.carmo.dk/en/technical-components/cleats/related/06-216/>

All geometrical dimensions and functional information are indicative. (Unless tolerances are specified). Carmo is not responsible for misprints and technical changes.
2022-09-29 20:49:08 UTC