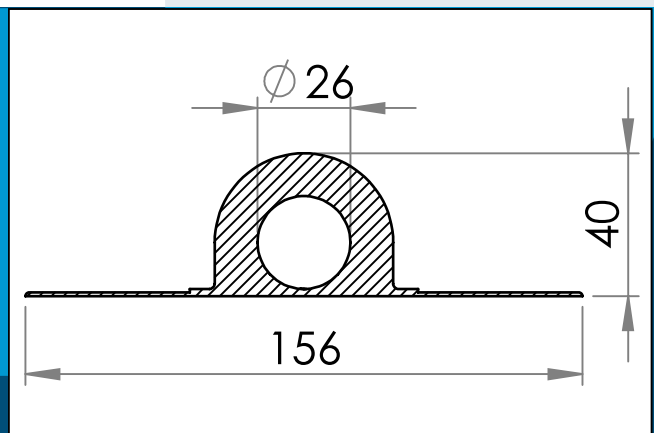




carmo
Your partner in plastic components

05-684 PVC Rowlock, Solid

Plastic Rowlock for use on inflatables, dinghies, boats etc. HF Weldable



Nominal measurements in mm

Rowlock for use on inflatables, dinghies, boats etc. Can be HF welded to PVC materials.

Can also be used as a heavy duty attachment point or rope support on inflatable or maritime objects, bouys etc.

Carmos special material and the rugged design will ensure durability in harsh conditions.

Materials: PVC
Std. packaging: 1 x 225
Related products: 05-686

Interested in other colors or materials? Please call for quote...



Carmo A/S, Hoejvangen 19, DK-3060 Espergaerde, Denmark
T: +45 4912 2100, F: +45 4912 2199, E: denmark@carmo.dk
www.carmo.dk

More info <http://www.carmo.dk/en/technical-components/cleats/related/05-684/>

All geometrical dimensions and functional information are indicative. (Unless tolerances are specified). Carmo is not responsible for misprints and technical changes.
2024-05-27 00:07:57 UTC