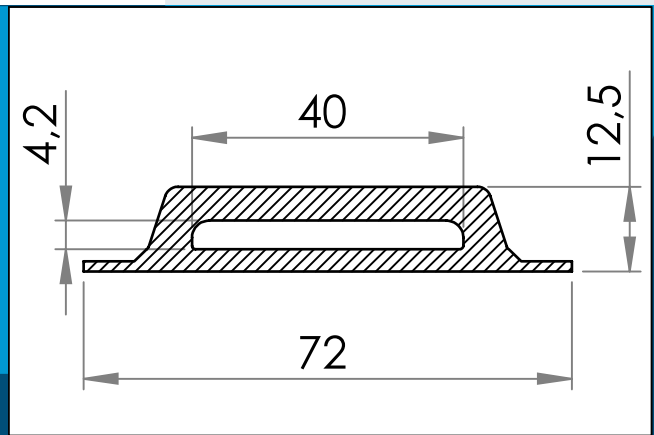




carmo
Your partner in plastic components

05-442 Reinforced plastic Cleat for webbing, 40/4 mm

Reinforced High Frequency / Radio Frequency (HF / RF) weldable plastic cleat suitable for 1½" (38 mm) webbing.



Nominal measurements in mm

HW weldable plastic cleat suitable for 1½" (38 mm) webbing. Reinforced to withstand greater load. Webbing can be passed through or looped around. Double layer of standard webbing can be accommodated.

Materials: PVC, PVC/PUR
Std. packaging: 1 x 1.000
Related products: 05-441

Interested in other colors or materials? Please call for quote...



Carmo A/S, Hoejvangen 19, DK-3060 Espergaerde, Denmark
T: +45 4912 2100, F: +45 4912 2199, E: denmark@carmo.dk
www.carmo.dk

More info <http://www.carmo.dk/en/technical-components/cleats/plastic-cleats/05-442/>

All geometrical dimensions and functional information are indicative. (Unless tolerances are specified). Carmo is not responsible for misprints and technical changes.
2022-10-01 07:51:03 UTC