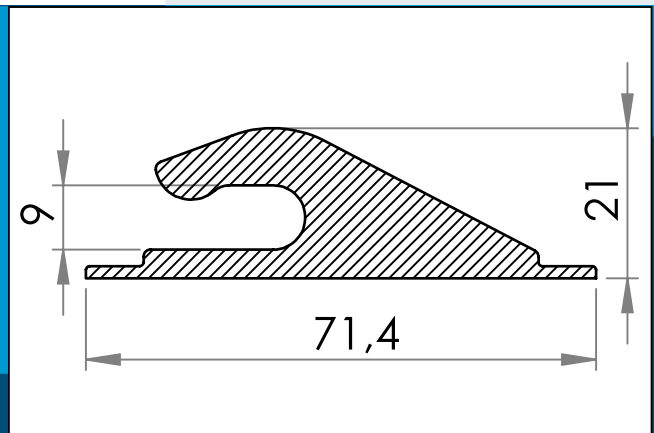




**carmo**  
Your partner in plastic components

## 05-431 Plastic Tarpaulin Hook

High frequency weldable PVC hook for up to 8mm diameter rope or shock cord.



Nominal measurements in mm

High frequency weldable PVC hook for use with closure systems for tarpaulins, awnings etc. Can be used with up to 8mm diameter rope or shock cord.

Made of PVC, 51 Shore D nominal hardness, suitable for low temperature usage and UV stabilised.

Materials: PVC  
Std. packaging: 1 x 1.250

Interested in other colors or materials? Please call for quote...



Carmo A/S, Hoejvangen 19, DK-3060 Espergaerde, Denmark  
T: +45 4912 2100, F: +45 4912 2199, E: [denmark@carmo.dk](mailto:denmark@carmo.dk)  
[www.carmo.dk](http://www.carmo.dk)

More info <http://www.carmo.dk/en/technical-components/cleats/attachment-points/05-431/>

All geometrical dimensions and functional information are indicative. (Unless tolerances are specified). Carmo is not responsible for misprints and technical changes.  
2024-06-17 19:45:54 UTC