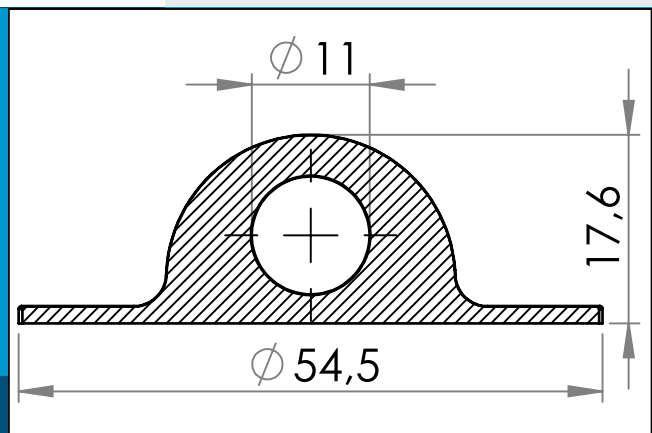




carmo
Your partner in plastic components

05-246 PVC Attachment Point, 11/55 mm

HF weldable Linesupport. For rope, wire or shock cord up to 11 mm.
56 mm round base



Nominal measurements in mm

Widely used with rope or line on inflatable products, play equipment, floating toys, hangers for ventilation socks.
For rope, wire or shock cord up to 11 mm. 56 mm round base

Technical specification:

PVC PY28 (high tensile strength, hardness 96 shore A)

PVC PG47 (hardness 80 shore A)

PVC PG57 (hardness 75 shore A, well suited to low temperatures)

PVC/PUR PD74 (Carmo's unique formulation gives excellent adhesion to PUR based materials)

Materials: PVC
Std. packaging: 1 x 1.600
Related products: 05-147, 05-148, 05-248

Interested in other colors or materials? Please call for quote...



Carmo A/S, Hoejvangen 19, DK-3060 Espergaerde, Denmark
T: +45 4912 2100, F: +45 4912 2199, E: denmark@carmo.dk
www.carmo.dk

More info <http://www.carmo.dk/en/technical-components/cleats/attachment-points/05-246/>

All geometrical dimensions and functional information are indicative. (Unless tolerances are specified). Carmo is not responsible for misprints and technical changes.
2022-10-01 08:50:13 UTC