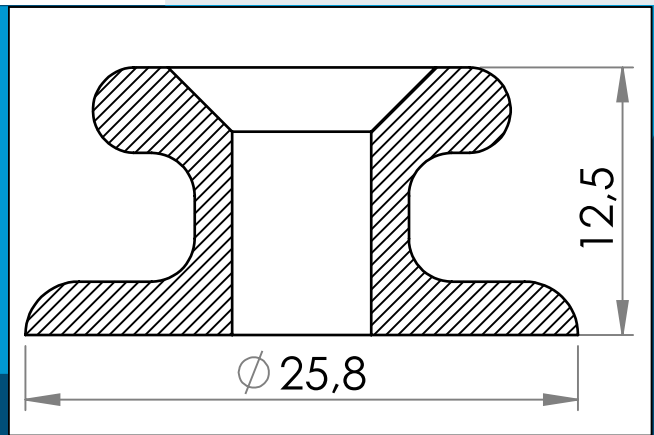




carmo
Your partner in plastic components

05-201 PEHD Anchoring Point For Ladder strap

A versatile attachment point for rope, shock cord, straps etc. for securing tarpaulins, banners, trailer covers.



Nominal measurements in mm

A versatile attachment point for rope, shock cord, straps etc. for securing tarpaulins, banners, trailer covers. Suitable for use with ladder straps, shock cords and rope up to Ø 6 mm. Can be fixed by countersunk screws, bolts or rivets.

High density polyethylene. Weather and chemical resistant.

Materials: PEHD
Std. packaging: 2 x 2.500

Interested in other colors or materials? Please call for quote...



Carmo A/S, Hoejvangen 19, DK-3060 Espergaerde, Denmark
T: +45 4912 2100, F: +45 4912 2199, E: denmark@carmo.dk
www.carmo.dk

More info <http://www.carmo.dk/en/technical-components/cleats/related/05-201/>

All geometrical dimensions and functional information are indicative. (Unless tolerances are specified). Carmo is not responsible for misprints and technical changes.
2024-05-26 23:59:13 UTC