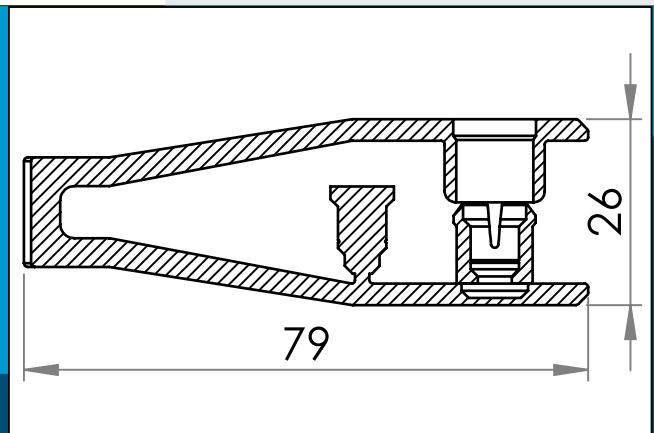




carmo
Your partner in plastic components

05-200 Car-Lo Lock Clamp With Plug

Clamp for attaching banners, tarpaulins etc.



Nominal measurements in mm

A device that strengthens, extends and allows rotation for all types of grommet and holes in soft and hard materials. Prevents possible deformation under extreme loads, e.g. when pulling heavy tarpaulins. It can be used with rope, line, shock cord, ladder straps, even carabineers. Can also be used as a hanger.

[Watch our video about Car-Lo](#)

High density polyethylene (HDPE): high strength, weather and chemical resistant.

Materials:	PEHD
Std. packaging:	1 x 1.800
Fits with:	04-277, 04-278
Related products:	05-201, 04-278, 05-201

Interested in other colors or materials? Please call for quote...



Carmo A/S, Højvangen 19, DK-3060 Espergærde, Denmark
T: +45 4912 2100, F: +45 4912 2199, E: denmark@carmo.dk
www.carmo.dk

More info <http://www.carmo.dk/en/technical-components/cleats/related/05-200/>

All geometrical dimensions and functional information are indicative. (Unless tolerances are specified). Carmo is not responsible for misprints and technical changes.
2022-10-06 19:50:52 UTC