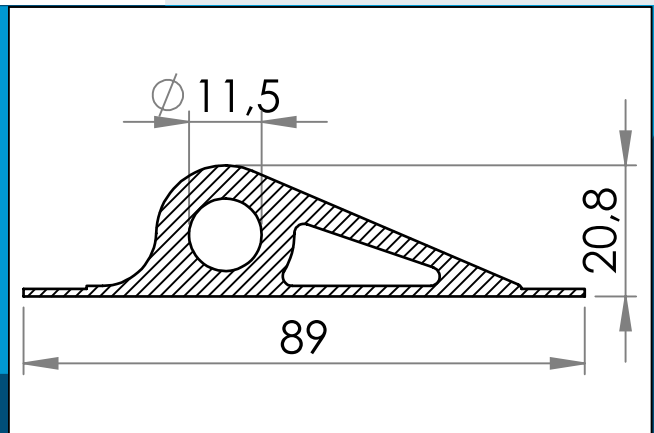


05-148 PVC Attachment Point w. square base, 12/90 mm

High frequency weldable PVC line support, with a rectangular base. Can be used with up to 11mm diameter rope or shock cord.



Nominal measurements in mm

High frequency weldable PVC line support, with a rectangular base. Can be used with up to 11mm diameter rope or shock cord. Suitable for low temperature usage and UV stabilised.

PVC, 51 Shore D nominal hardness. Suitable for low temperature usage and UV stabilised.

Materials: PVC
Std. packaging: 1 x 800
Related products: 05-146, 05-246, 05-247, 05-248

Interested in other colors or materials? Please call for quote...