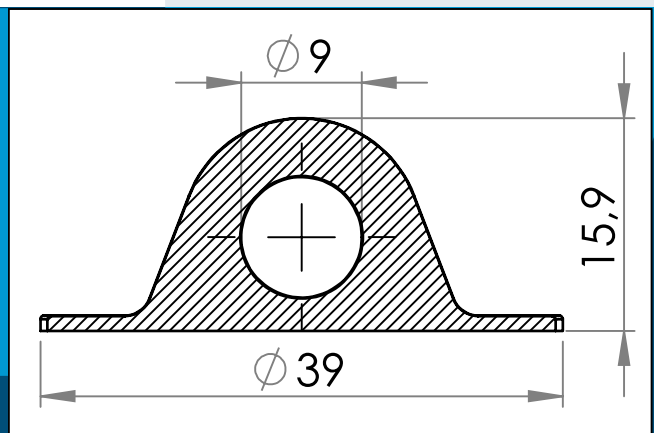


## 05-146 Plastic Attachment Point, 9/39 mm.

HF weldable Line support with 39 mm round base, suitable for rope / line up to Ø9 mm



Nominal measurements in mm

Widely used with rope or line on inflatable products, play equipment, floating toys, hangers for ventilation socks. Typically used for attaching rope, wire or guy-lines. For rope, wire or shock cord up to 9 mm.

### Technical specification:

PVC PY28 (high tensile strength, hardness 96 shore A)

PVC PG47 (hardness 80 shore A)

PVC PG57 (hardness 75 shore A, well suited to low temperatures)

PVC/PUR PD74 (Carmo's unique formulation gives excellent adhesion to PUR based materials)

Materials:	PVC, PVC/PUR
Std. packaging:	1 x 3.000
Related products:	05-147, 05-148, 05-248

Interested in other colors or materials? Please call for quote...