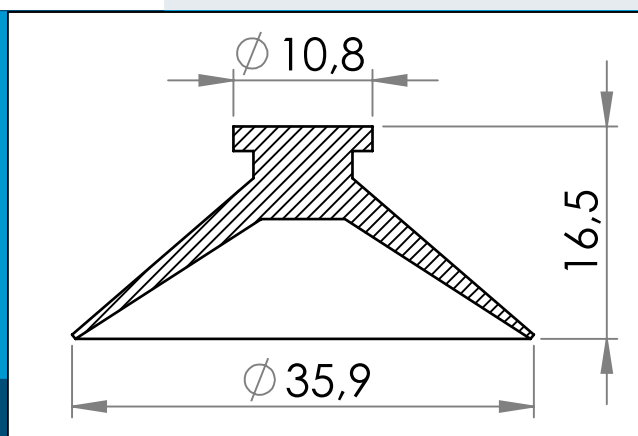




**carmo**  
Your partner in plastic components

## 05-132 Plastic Suction Cup

Plastic suction cup



Nominal measurements in mm

Super sticky suction cup. Can be used with the matching hook 05-932 or the head can be welded onto PVC / vinyl material.

Materials: PVC  
Std. packaging: 1 x 4.000  
Fits with: 05-932

Interested in other colors or materials? Please call for quote...



Carmo A/S, Hoejvangen 19, DK-3060 Espergaerde, Denmark  
T: +45 4912 2100, F: +45 4912 2199, E: [denmark@carmo.dk](mailto:denmark@carmo.dk)  
[www.carmo.dk](http://www.carmo.dk)

More info <http://www.carmo.dk/en/technical-components/miscellaneous/suction-cups/05-132/>

All geometrical dimensions and functional information are indicative. (Unless tolerances are specified). Carmo is not responsible for misprints and technical changes.  
2024-06-17 20:20:15 UTC