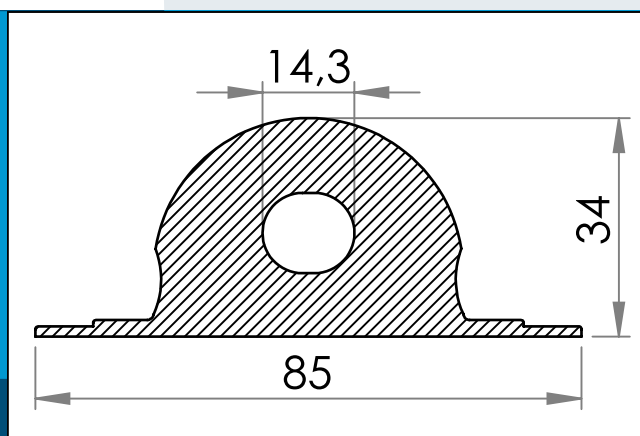




**carmo**  
Your partner in plastic components

## 05-046 Reinforced strong PVC Cleat / line support, heavy duty

Heavy duty cleat/line support with oval hole. HF weldable to PVC sheets and foils.



Nominal measurements in mm

Heavy duty cleat/line support with oval hole, use alone or with oval eyelet 04-206

Materials: PVC  
Std. packaging: 1 x 600  
Fits with: 04-206  
Related products: 05-446, 05-646,

Interested in other colors or materials? Please call for quote...



Carmo A/S, Hoejvangen 19, DK-3060 Espergaerde, Denmark  
T: +45 4912 2100, F: +45 4912 2199, E: [denmark@carmo.dk](mailto:denmark@carmo.dk)  
[www.carmo.dk](http://www.carmo.dk)

More info <http://www.carmo.dk/en/technical-components/cleats/plastic-cleats/05-046/>

All geometrical dimensions and functional information are indicative. (Unless tolerances are specified). Carmo is not responsible for misprints and technical changes.  
2022-10-01 08:37:08 UTC