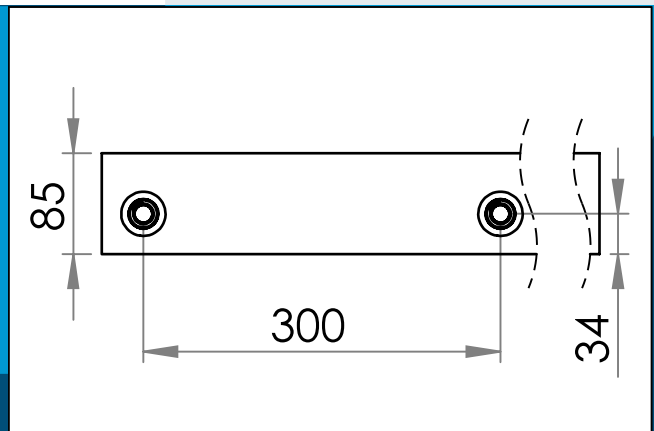




carmo
Your partner in plastic components

04-601 Weldable PVC Eyelet Border, 85mm x 50m roll

Eyelet border with pre-welded PVC eyelets - Simply align, overlap edges and weld or simply sew up! White PVC with natural colour eyelets



Nominal measurements in mm

Offers the advantages of welded PVC eyelets while reducing the time needed for mounting. Pre-welded with 04-277 15/37 (15 mm hole) transparent PVC eyelets every 30 cm.

Std. packaging: 1 x 50m
Related products: 04-105, 04-106

Interested in other colors or materials? Please call for quote...



Carmo A/S, Hoejvangen 19, DK-3060 Espergaerde, Denmark
T: +45 4912 2100, F: +45 4912 2199, E: denmark@carmo.dk
www.carmo.dk

More info <http://www.carmo.dk/en/technical-components/grommets-and-eyelets/plastic-eyelet-border/04-601/>

All geometrical dimensions and functional information are indicative. (Unless tolerances are specified). Carmo is not responsible for misprints and technical changes.
2024-06-15 11:09:45 UTC