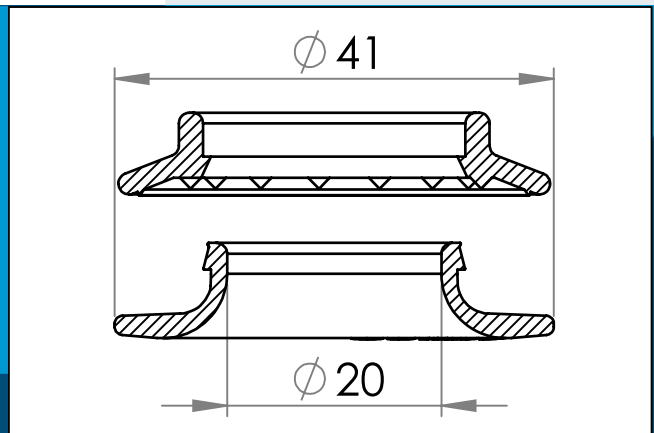




carmo
Your partner in plastic components

04-523 Ventilation Grommet / air nozzle, Ø20mm, Set

Low profile air nozzles for ventilation socks. Optimised hole geometry for low noise.



Nominal measurements in mm

Low profile air nozzles for ventilation socks. Optimised hole geometry for low noise. Made of high impact strength polypropylene. Temperature range -20°C to $+60^{\circ}\text{C}$. Suitable for materials up to 1 mm thickness

Also available in highly transparent polycarbonate.

Materials: PP+PP
Std. packaging: 4 x 500
Related products: 04-522, 04-512

Interested in other colors or materials? Please call for quote...



Carmo A/S, Hoejvangen 19, DK-3060 Espergaerde, Denmark
T: +45 4912 2100, F: +45 4912 2199, E: denmark@carmo.dk
www.carmo.dk

More info <http://www.carmo.dk/en/technical-components/grommets-and-eyelets/snap-grommet/04-523/>

All geometrical dimensions and functional information are indicative. (Unless tolerances are specified). Carmo is not responsible for misprints and technical changes.
2022-01-28 12:29:36 UTC