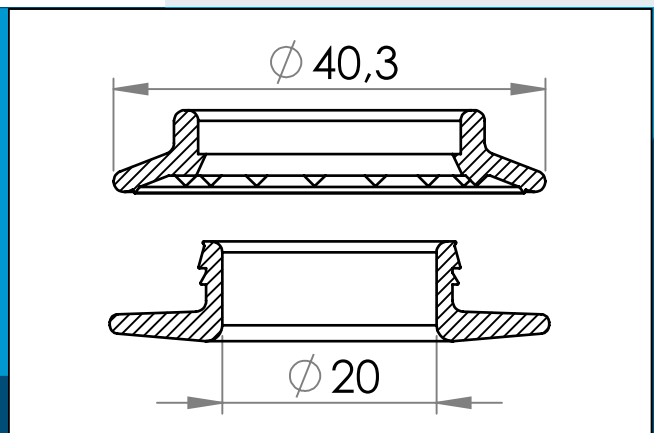




carmo
Your partner in plastic components

04-522 Snap Grommet Set, Ø20 mm

Plastic snap grommet for reinforcement of 20 mm holes in textiles, awnings, tarpaulins, banners etc. Can be inserted manually.



Nominal measurements in mm

Hole reinforcements for materials such as textiles, awnings, tarpaulins, banners. Can be manually mounted without special tools. Made of high impact strength polypropylene. Temperature range -20°C to $+60^{\circ}\text{C}$.

Clip / snap Grommets offer the simplicity and speed of metal grommets AND can be colour matched and easily recycled.

Materials: PP+PP
Std. packaging: 1 x 2.000
Related products: 04-523, 04-512

Interested in other colors or materials? Please call for quote...



Carmo A/S, Hoejvangen 19, DK-3060 Espergærde, Denmark
T: +45 4912 2100, F: +45 4912 2199, E: denmark@carmo.dk
www.carmo.dk

More info <http://www.carmo.dk/en/technical-components/grommets-and-eyelets/snap-grommet/04-522/>

All geometrical dimensions and functional information are indicative. (Unless tolerances are specified). Carmo is not responsible for misprints and technical changes.
2022-01-28 12:40:25 UTC