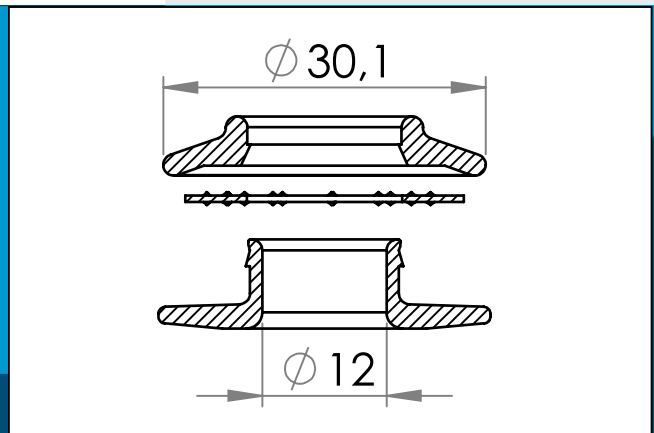




carmo
Your partner in plastic components

04-512 Plastic snap grommet Set, Ø12 mm

Plastic snap grommet for reinforcement of 12 mm holes in textiles, awnings, tarpaulins, banners etc. Can be inserted manually.



Nominal measurements in mm

Snap grommet for hole reinforcements for materials such as textiles, awnings, tarpaulins, banners. Can be inserted manually or using our clip tool 07-512. Washer 04-510 needed for thin materials.

Clip / snap Grommets offer the simplicity and speed of metal grommets AND can be colour matched and easily recycled.

PP-high impact strength polypropylene, temperature range -20°C to $+60^{\circ}\text{C}$, weather resistant.

HDPE-high density polyethylene, high impact strength, chemical and weather resistant.

PVC-clear, UV stabilised PVC. Suitable for 'total recycling' of PVC banner systems.

Suitable for materials up to 1,4 mm thickness

Materials:	PP+PP
Std. packaging:	4 x 1.000
Fits with:	04-510, 07-512

Interested in other colors or materials? Please call for quote...



Carmo A/S, Hoejvangen 19, DK-3060 Espergaerde, Denmark
T: +45 4912 2100, F: +45 4912 2199, E: denmark@carmo.dk
www.carmo.dk

More info <http://www.carmo.dk/en/technical-components/grommets-and-eyelets/snap-grommet/04-512/>

All geometrical dimensions and functional information are indicative. (Unless tolerances are specified). Carmo is not responsible for misprints and technical changes.
2022-01-28 12:38:45 UTC