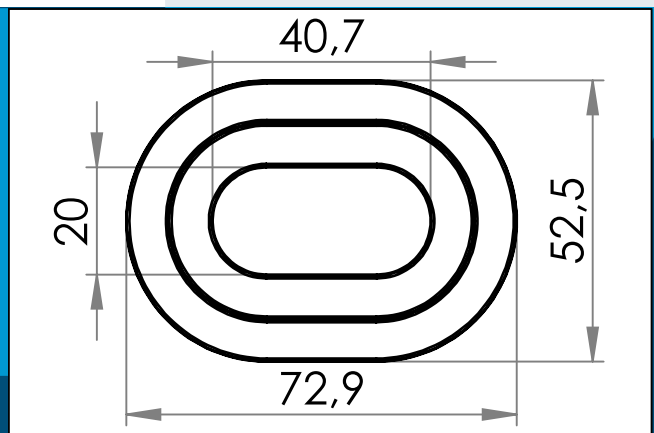




carmo
Your partner in plastic components

04-403 Oval plastic eyelet, 20/40 mm

Oval PVC eyelet with square shoulders for HF/RF welding to banners, tarpaulins, building wraps etc. 20 x 40 mm hole. Specially developed for both plastic and metal TIR turnbuckles.



Nominal measurements in mm

Oval PVC/PUR eyelet with square shoulders and 20 x 40 mm elongated hole. Typically used for hole reinforcements in banners, tarpaulins, building wraps etc.

Specially developed for both plastic and metal TIR turnbuckles. A durable and more production oriented solution for lorry curtainside and trailer fastening systems. A punch/welding set for high frequency welding is available, this can be used directly under the bar of a bar welder.

HF Welded PVC eyelets will fuse together with the foil and result in a joint that is significantly stronger and can withstand significantly higher pull forces than metal eyelet. This is especially true when working in mesh materials. PVC eyelets will not tear out and will not rust and stain the material. They can be colour matched to the fabric and will make recycling of PVC and vinyl banners much easier.

Materials: PVC
Std. packaging: 1 x 2.000
Related products: 04-134, 04-204, 04-205, 04-206

Interested in other colors or materials? Please call for quote...



Carmo A/S, Hojvangen 19, DK-3060 Espergaerde, Denmark
T: +45 4912 2100, F: +45 4912 2199, E: denmark@carmo.dk
www.carmo.dk

More info <http://www.carmo.dk/en/technical-components/grommets-and-eyelets/pvc-eyelets-oval/04-403/>

All geometrical dimensions and functional information are indicative. (Unless tolerances are specified). Carmo is not responsible for misprints and technical changes.
2024-06-15 10:25:47 UTC