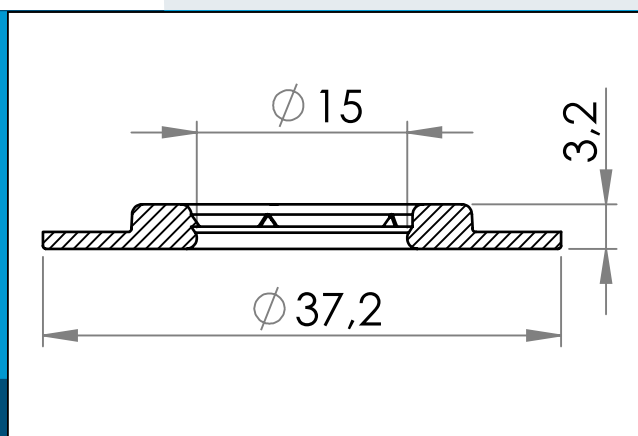


04-277 Heavy duty PVC Eyelet , 15/37 mm, Stacked

15/37 mm heavy duty plastic eyelet with square shoulders. Optimised for HF welding and use in automatic machines



Nominal measurements in mm

Heavy, 15/37 mm weldable plastic eyelet with square shoulders. Delivered stacked for use in automatic mounting/welding machines.

Typically used for hole reinforcements in banners, tarpaulins, building wraps etc. Geometry and material optimised for High Frequency (HF) welding.

PVC and plastic eyelets will not tear out and will not rust and stain the material. They can be colour matched to the fabric and will make recycling of PVC and vinyl banners much easier.

HF Welded PVC and plastic eyelets will fuse together with the foil and result in a joint that is significantly stronger and can withstand significantly higher pull forces than metal eyelet. This is especially true when working in mesh materials.

Materials: PZ33, standard PVC compound, hardness 45+/-2 Shore D, PY28, modified for operating temperatures down to -20°C, hardness 51+/-2 Shore D

Materials:	PELD, PVC, PVC/PUR
Std. packaging:	30 x 168
Fits with:	05-200
Related products:	04-275,04-278,04-279,04-274

Interested in other colors or materials? Please call for quote...