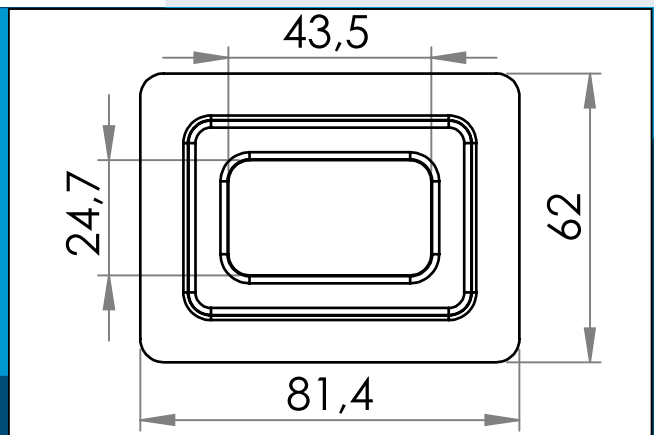




carmo
Your partner in plastic components

04-205 Square plastic Eyelet, 24/43 mm

Square PVC/PUR eyelet with square shoulders and 24 x 43 mm square hole. Typically used for hole reinforcements in banners, tarpaulins, building wraps etc.



Nominal measurements in mm

Square PVC/PUR eyelet with square shoulders and 24 x 43 mm square hole. Typically used for hole reinforcements in banners, tarpaulins, building wraps etc.

HF Welded PVC eyelets will fuse together with the foil and result in a joint that is significantly stronger and can withstand significantly higher pull forces than metal eyelet. This is especially true when working in mesh materials. PVC eyelets will not tear out and will not rust and stain the material. They can be colour matched to the fabric and will make recycling of PVC and vinyl banners much easier.

Welding times of 1.5 seconds for single eyelets and 2-3 seconds for double eyelets are typical - depending on the HF generator used and the thickness and layers of sheets to weld.

Materials: PVC
Std. packaging: 1 x 500
Related products: 04-134, 04-204, 04-206, 04-403

Interested in other colors or materials? Please call for quote...



Carmo A/S, Hoejvangen 19, DK-3060 Espergaerde, Denmark
T: +45 4912 2100, F: +45 4912 2199, E: denmark@carmo.dk
www.carmo.dk

More info <http://www.carmo.dk/en/technical-components/grommets-and-eyelets/pvc-eyelets-oval/04-205/>

All geometrical dimensions and functional information are indicative. (Unless tolerances are specified). Carmo is not responsible for misprints and technical changes.
2024-06-15 12:03:29 UTC