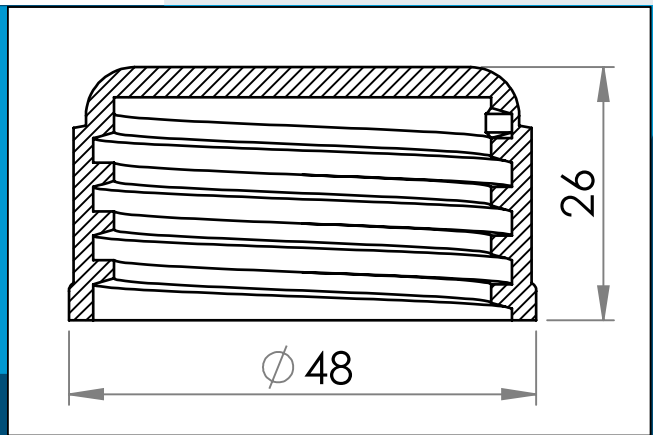




carmo
Your partner in plastic components

03-974 Threaded plastic Cap for 34 mm nozzle

Plastic Cap for use with 34 mm threaded nozzle. Can be supplied with gasket 03-938.



Nominal measurements in mm

Can be delivered with gasket 03-938

Materials: PEHD
Std. packaging: 1 x 500
Fits with: 03-731, 03-938

Interested in other colors or materials? Please call for quote...



Carmo A/S, Hoejvangen 19, DK-3060 Espergaerde, Denmark
T: +45 4912 2100, F: +45 4912 2199, E: denmark@carmo.dk
www.carmo.dk

More info <http://www.carmo.dk/en/technical-components/neck-flanges-caps/plastic-caps/03-974/>

All geometrical dimensions and functional information are indicative. (Unless tolerances are specified). Carmo is not responsible for misprints and technical changes.
2024-02-28 09:22:27 UTC