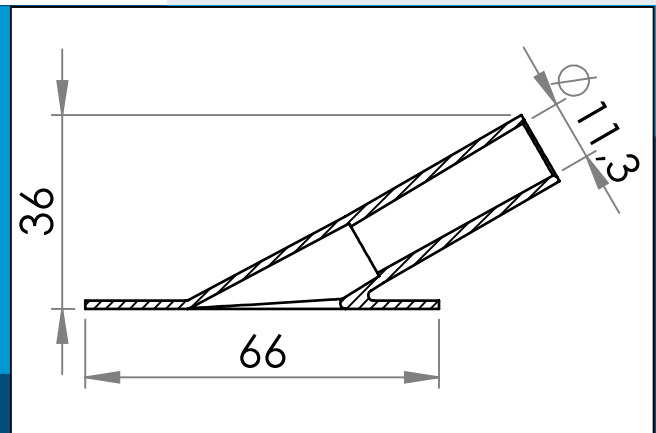




carmo
Your partner in plastic components

03-802 Angled plastic inflation tube, 30 Degrees, Ø11 mm

HF/ultrasonic weldable angled tube, use as inlet/outlet or tube connector



Nominal measurements in mm

HF/ultrasonic weldable angled tube, use as inlet/outlet or tube connector. Suitable for medical and industrial applications.

Carmo can supply a specially designed he welding electrode for this part.

Materials: PVC/PUR
Std. packaging: 1 x 1.000

Interested in other colors or materials? Please call for quote...



Carmo A/S, Hoejvangen 19, DK-3060 Espergaerde, Denmark
T: +45 4912 2100, F: +45 4912 2199, E: denmark@carmo.dk
www.carmo.dk

More info <http://www.carmo.dk/en/technical-components/valves/inflation-tubes/03-802/>

All geometrical dimensions and functional information are indicative. (Unless tolerances are specified). Carmo is not responsible for misprints and technical changes.
2024-06-15 11:43:33 UTC