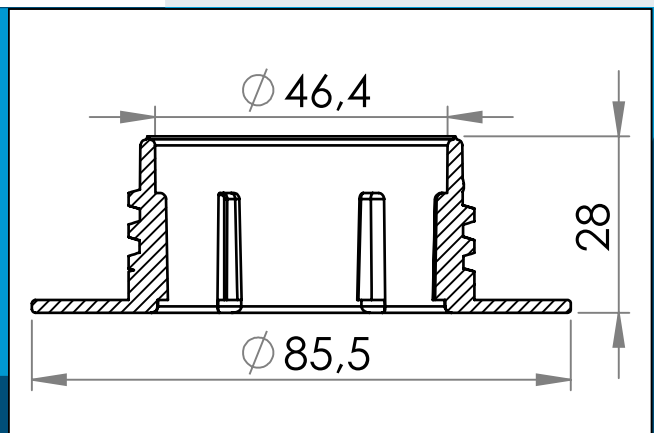




carmo
Your partner in plastic components

03-745 Threaded Neck Filler Flange, 45 mm

HF/ultrasonic weldable 45mm nozzle



Nominal measurements in mm

HF/ultrasonic weldable 45mm nozzle for surface welding, also available for sub-flush welding.

Often used on containers, bladders etc. Fits with a matching 45mm screw cap.

Materials: PVC, PVC/PUR
Std. packaging: 1 x 400
Fits with: 03-945

Interested in other colors or materials? Please call for quote...



Carmo A/S, Hoejvangen 19, DK-3060 Espergaerde, Denmark
T: +45 4912 2100, F: +45 4912 2199, E: denmark@carmo.dk
www.carmo.dk

More info <http://www.carmo.dk/en/technical-components/neck-flanges-caps/filler-flanges/03-745/>

All geometrical dimensions and functional information are indicative. (Unless tolerances are specified). Carmo is not responsible for misprints and technical changes.
2023-09-25 15:36:18 UTC