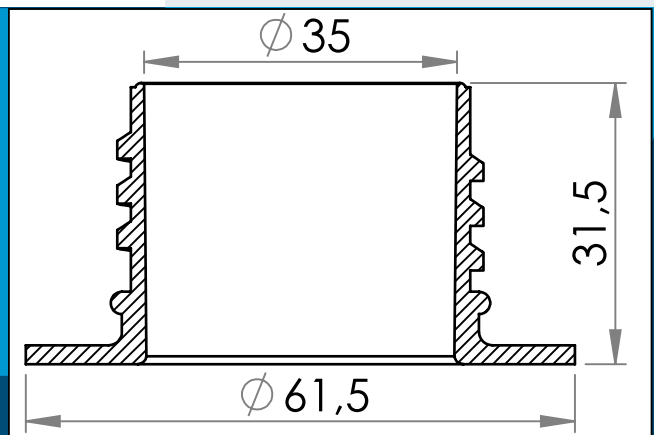




**carmo**  
Your partner in plastic components

## 03-731 Threaded filler nozzle, 34 mm

34mm plastic nozzle with smooth bore. HF/ultrasonic weldable



Nominal measurements in mm

HF/ultrasonic weldable 34mm nozzle with smooth bore.

Also available in PELD, EVA and Carmo's unique PVC/PUR which ensures optimal bonding to PUR based materials and fabrics.

Materials: PELD, PVC, PVC/PUR  
Std. packaging: 1 x 500  
Fits with: 03-974

Interested in other colors or materials? Please call for quote...



Carmo A/S, Hoejvangen 19, DK-3060 Espergaerde, Denmark  
T: +45 4912 2100, F: +45 4912 2199, E: [denmark@carmo.dk](mailto:denmark@carmo.dk)  
[www.carmo.dk](http://www.carmo.dk)

More info <http://www.carmo.dk/en/technical-components/neck-flanges-caps/filler-flanges/03-731/>

All geometrical dimensions and functional information are indicative. (Unless tolerances are specified). Carmo is not responsible for misprints and technical changes.  
2021-09-24 03:03:13 UTC