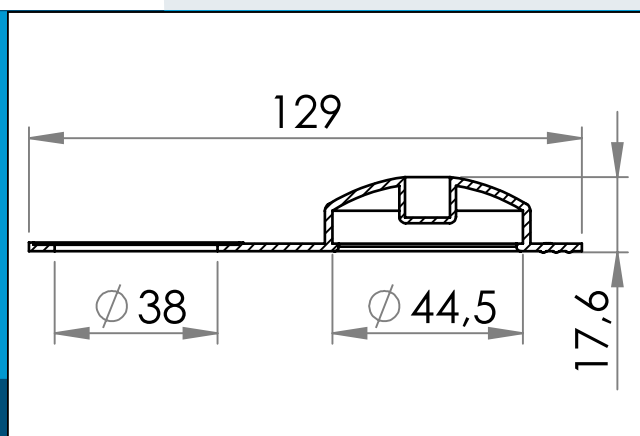


03-711 Plastic protection Cap with attachment ring.

Plastic protection cap for modular valves



Nominal measurements in mm

Protects the valve from dust and dirt, fits vacuum valve 03-274. Snug fit to the valve body and a pull tab for easy removal.

Carmo's modular valve system is built around a common weldable flange, which is available in materials suitable for HF welding on PUR or PVC.

The valve features a standard 3/4" socket in which the three functional valves can be mounted:

- Inflation valve
- Vacuum valve
- Pressure relief valve

Materials: PVC
Std. packaging: 1 x 1.000
Fits with: 03-601,03-284

Interested in other colors or materials? Please call for quote...