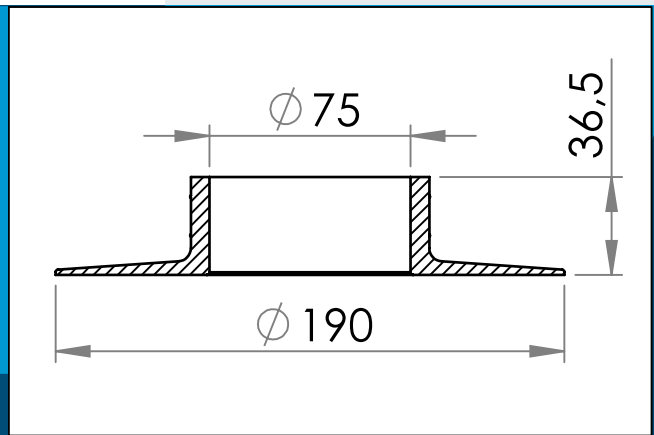




carmo
Your partner in plastic components

03-641 PVC Flange A

HF/ultrasonic weldable flange with 3" bore



Nominal measurements in mm

HF/ultrasonic weldable flange with 3" bore

Can be used together with the flange 03-640 to obtain an even stronger weld and improve robustness in situations where the container is under constant flex.

Materials: PVC
Std. packaging: 1 x 110
Fits with: 03-640

Interested in other colors or materials? Please call for quote...



Carmo A/S, Hoejvangen 19, DK-3060 Espergaerde, Denmark
T: +45 4912 2100, F: +45 4912 2199, E: denmark@carmo.dk
www.carmo.dk

More info <http://www.carmo.dk/en/technical-components/neck-flanges-caps/complementaries/03-641/>

All geometrical dimensions and functional information are indicative. (Unless tolerances are specified). Carmo is not responsible for misprints and technical changes.
2022-09-29 21:50:04 UTC