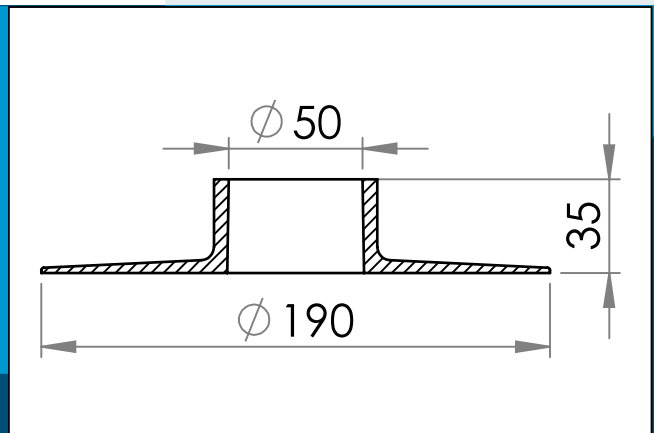




carmo
Your partner in plastic components

03-640 PVC plastic flange B

HF/ultrasonic weldable flange with 2" bore. Often used as grommets for 2" piping in water bags e.g. in rain water recycling systems.



Nominal measurements in mm

HF/ultrasonic weldable flange with 2" bore. Often used as grommets for 2" piping in water bags e.g. in rain water recycling systems.

Can be used together with the flange 03-640 to obtain an even stronger weld and improve robustness in situations where the container is under constant flex.

Materials: PVC
Std. packaging: 1 x 140
Fits with: 03-641

Interested in other colors or materials? Please call for quote...



Carmo A/S, Hojvangen 19, DK-3060 Espergaerde, Denmark
T: +45 4912 2100, F: +45 4912 2199, E: denmark@carmo.dk
www.carmo.dk

More info <http://www.carmo.dk/en/technical-components/neck-flanges-caps/complementaries/03-640/>

All geometrical dimensions and functional information are indicative. (Unless tolerances are specified). Carmo is not responsible for misprints and technical changes.
2022-09-29 19:49:26 UTC