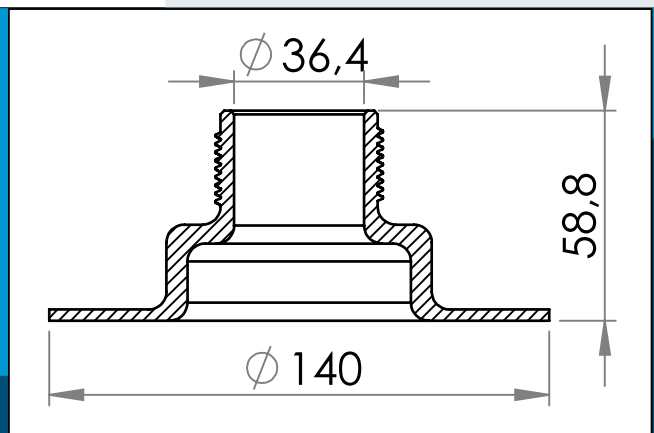




**carmo**  
Your partner in plastic components

## 03-634 Threaded Filler Neck 1½" (36.4 mm)

HF/ultrasonic weldable nozzle, G1 ½" thread, FDA/BGA approved material. For use in large and small containers for fluids and powders / granules. Industry standard thread means it is compatible with a wide range of fittings.



Nominal measurements in mm

HF/ultrasonic weldable nozzle, G1 ½" thread, FDA/BGA approved material. For use in large and small containers for fluids and powders / granulates.

Can be used together with the flange 03-633 to obtain an even stronger weld and improve robustness in situations where the container is under constant flex.

Materials: PVC  
Std. packaging: 1 x 90  
Fits with: 03-976, 03-633

Interested in other colors or materials? Please call for quote...



Carmo A/S, Hoejvangen 19, DK-3060 Espergaerde, Denmark  
T: +45 4912 2100, F: +45 4912 2199, E: [denmark@carmo.dk](mailto:denmark@carmo.dk)  
[www.carmo.dk](http://www.carmo.dk)

More info <http://www.carmo.dk/en/technical-components/neck-flanges-caps/filler-flanges/03-634/>

All geometrical dimensions and functional information are indicative. (Unless tolerances are specified). Carmo is not responsible for misprints and technical changes.  
2023-11-29 02:31:17 UTC