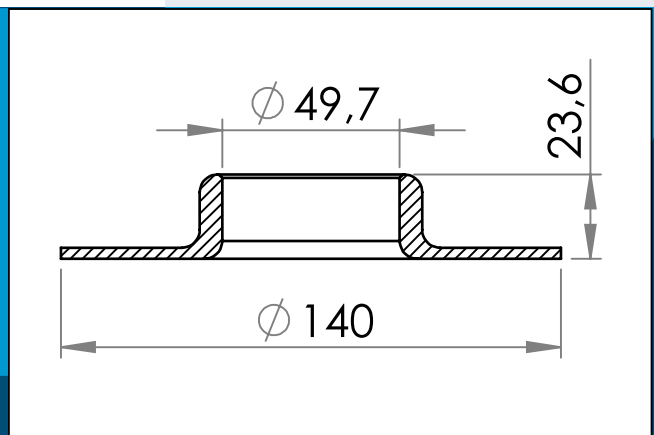


03-633 Plastic Flange for 03-634

Support flange, can be used with threaded nozzle



Nominal measurements in mm

Support flange, can be used with threaded nozzle 03-634.

Used to secure a more robust attachment of the flange in order to avoid the flange being torn from the base in rough environments and situations

Available in materials that are optimised for high frequency welding, and for high durability in harsh and demanding environments.

Materials: PVC
Std. packaging: 1 x 135
Fits with: 03-634
Related products: 03-632

Interested in other colors or materials? Please call for quote...