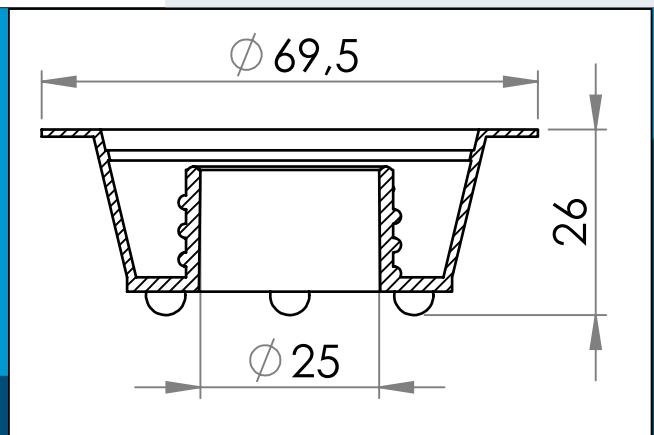


03-628 Presunk threaded filler flange, 25 mm

HF/ultrasonic weldable 25 mm recessed nozzle. Completely sub flush.



Nominal measurements in mm

HF/ultrasonic weldable 25 mm recessed nozzle / filler flange with Ø25 mm nominal bore. Completely sub flush.

Also available in Carmo's unique PVC/PUR. Maintains the positive properties of PUR at a much lower price. Also ensures optimal bond to PUR based materials.

Materials: PVC, PVC/PUR
Std. packaging: 1 x 500
Fits with: 03-935, 03-936, 03-561, 03-625

Interested in other colors or materials? Please call for quote...