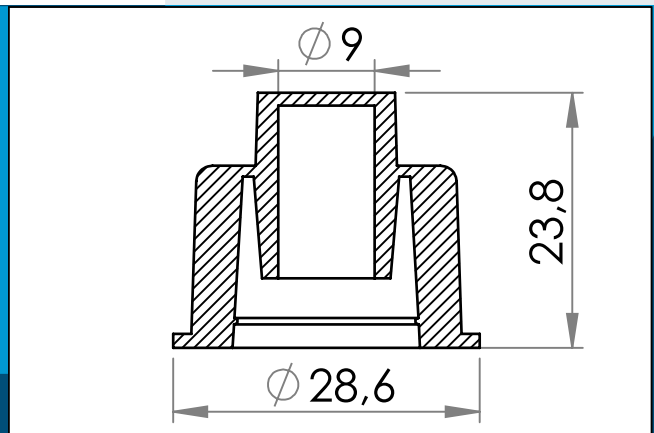




carmo
Your partner in plastic components

03-625 PVC Insert for 03-628

Insert for weldable recessed 25 mm nozzle, stiffening/sealing. for improved sealing. e.g. as an extra safety feature for use in water beds.



Nominal measurements in mm

Insert for weldable recessed 25 mm nozzle, stiffening/sealing. Fits with 03-936. NB: Will NOT fit with 03-935

Materials: PVC
Std. packaging: 4 x 500
Fits with: 03-628, 03-936

Interested in other colors or materials? Please call for quote...



Carmo A/S, Hoejvangen 19, DK-3060 Espergaerde, Denmark
T: +45 4912 2100, F: +45 4912 2199, E: denmark@carmo.dk
www.carmo.dk

More info <http://www.carmo.dk/en/technical-components/neck-flanges-caps/complementaries/03-625/>

All geometrical dimensions and functional information are indicative. (Unless tolerances are specified). Carmo is not responsible for misprints and technical changes.
2024-06-15 10:43:30 UTC