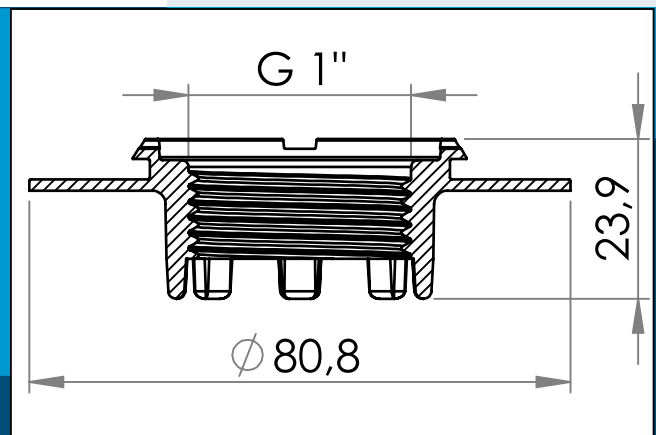




carmo
Your partner in plastic components

03-611 HF/ultrasonic weldable flange with internal G1" thread (BSP 1")

HF/ultrasonic weldable plastic flange with internal G1" thread (BSP 1"). Weldable onto PVC and PUR materials. Industry standard thread, compatible with a range of readily available fittings and connections.



Nominal measurements in mm

HF/ultrasonic weldable plastic flange with internal G1" thread (BSP 1"). Weldable onto PVC and PUR materials. Industry standard thread, compatible with a range of readily available fittings and connections. Possibility of using a retainer ring to keep track of loose caps etc.

Possibility of using a retainer ring to keep track of loose caps etc.

This product is also available with the American NPSM 1" thread (article 03-609).

Carmos range of weldable flanges with pipe threads include NPSM 1", G 1/2", G 3/4", G 1" as internal threads and G 1 1/2" as an external thread.

Materials: PVC, PVC/PUR
Std. packaging: 1 x 350
Related products: 03-601,03-606,03-609

Interested in other colors or materials? Please call for quote...



Carmo A/S, Hoejvangen 19, DK-3060 Espergaerde, Denmark
T: +45 4912 2100, F: +45 4912 2199, E: denmark@carmo.dk
www.carmo.dk

More info <http://www.carmo.dk/en/technical-components/valves/threaded-flange/03-611/>

All geometrical dimensions and functional information are indicative. (Unless tolerances are specified). Carmo is not responsible for misprints and technical changes.
2024-06-17 20:55:33 UTC