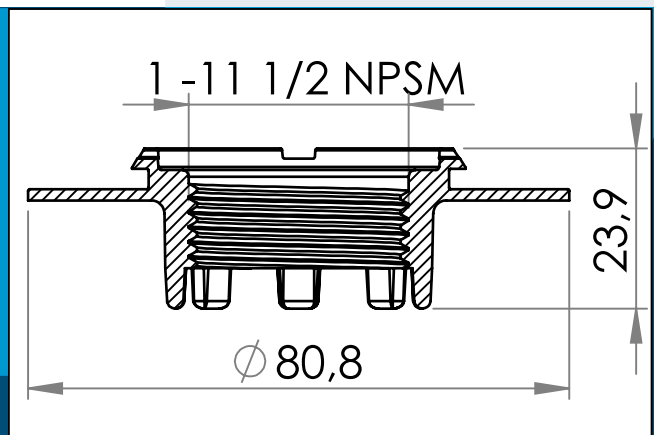




carmo
Your partner in plastic components

03-609 HF/ultrasonic weldable flange with internal American NPSM 1" thread

HF/ultrasonic weldable plastic flange with internal American NPSM 1" thread (the straight version of NPT 1"). Weldable onto PVC coated materials. Industry standard thread.



Nominal measurements in mm

HF/ultrasonic weldable flange with internal American NPSM 1" thread (the straight version of NPT 1"). Can be used in inflatable and maritime structures like rafts, boats, buoys, booms, water bags, water tanks, ballast bags etc. Small protrusions on the underside of the flange ensure that it does not stick to the material, shutting off airflow, in emptying/suction applications.

This product is also available with the European G 1" thread (article 03-611).

Carmos range of weldable flanges with pipe threads include NPSM 1", G 1/2", G 3/4", G 1" as internal threads and G 1 1/2" as an external thread.

Materials: PVC
Std. packaging: 1 x 500
Related products: 03-601,03-606,03-611

Interested in other colors or materials? Please call for quote...



Carmo A/S, Hoejvangen 19, DK-3060 Espergaerde, Denmark
T: +45 4912 2100, F: +45 4912 2199, E: denmark@carmo.dk
www.carmo.dk

More info <http://www.carmo.dk/en/technical-components/valves/threaded-flange/03-609/>

All geometrical dimensions and functional information are indicative. (Unless tolerances are specified). Carmo is not responsible for misprints and technical changes.
2022-10-06 21:25:28 UTC