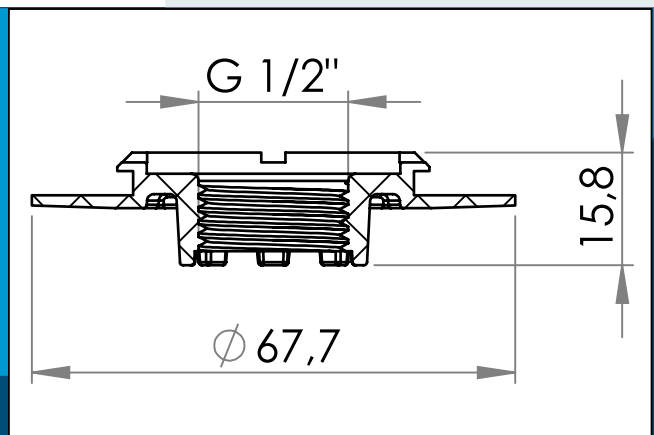


## 03-606 Threaded plastic flange with thread G 1/2"

HF/ultrasonic weldable plastic flange with internal G1/2" thread. Weldable onto PVC and PUR materials. Industry standard thread, compatible with a range of Carmo fittings and those of other manufacturers.



Nominal measurements in mm

HF/ultrasonic weldable flange with internal G 1/2" (inch) thread.

Used extensively in inflatable and maritime structures like rafts, boats, buoys, booms, water bags, water tanks, ballast bags etc.

Small protrusions on the underside of the flange ensure that it does not stick to the material, shutting off airflow, in vacuum applications.

Materials: PVC, PVC/PUR  
Std. packaging: 1 x 750  
Related products: 03-601

Interested in other colors or materials? Please call for quote...