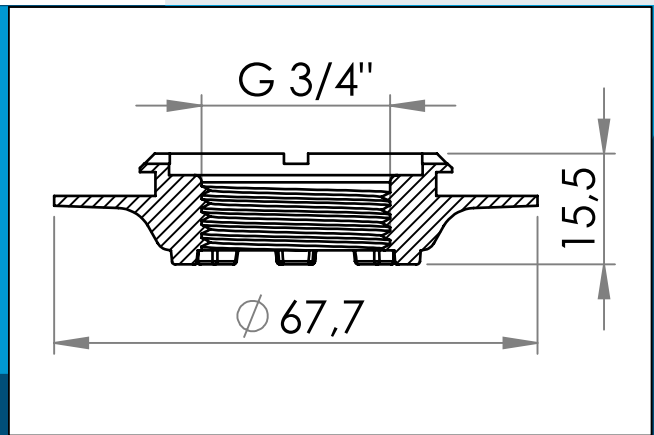




**carmo**  
Your partner in plastic components

## 03-601 Threaded plastic flange with thread G 3/4"

HF/ultrasonic weldable plastic flange with internal G3/4" thread. Weldable onto PVC and PUR materials. Industry standard thread, compatible with a range of Carmo fittings and those of other manufacturers.



Nominal measurements in mm

HF/ultrasonic weldable flange with internal G3/4" thread. Forms the base of Carmo's modular valve system of inflation valves, pressure valves, overpressure valves and vacuum valves.

Used extensively in inflatable and maritime structures like rafts, boats, buoys, booms, water bags, water tanks, ballast bags etc. Small protrusions on the underside of the flange ensure that it does not stick to the material, shutting off airflow, in vacuum applications.

Materials: PVC, PVC/PUR  
Std. packaging: 1 x 750  
Fits with: 03-199,03-274,03-284,03-374,03-474,03-645,03-711,03-714,03-315  
Related products: 03-274,03-374,03-474,03-606

Interested in other colors or materials? Please call for quote...



Carmo A/S, Hoejvangen 19, DK-3060 Espergaerde, Denmark  
T: +45 4912 2100, F: +45 4912 2199, E: [denmark@carmo.dk](mailto:denmark@carmo.dk)  
[www.carmo.dk](http://www.carmo.dk)

More info <http://www.carmo.dk/en/technical-components/valves/threaded-flange/03-601/>

All geometrical dimensions and functional information are indicative. (Unless tolerances are specified). Carmo is not responsible for misprints and technical changes.  
2024-06-17 17:46:42 UTC