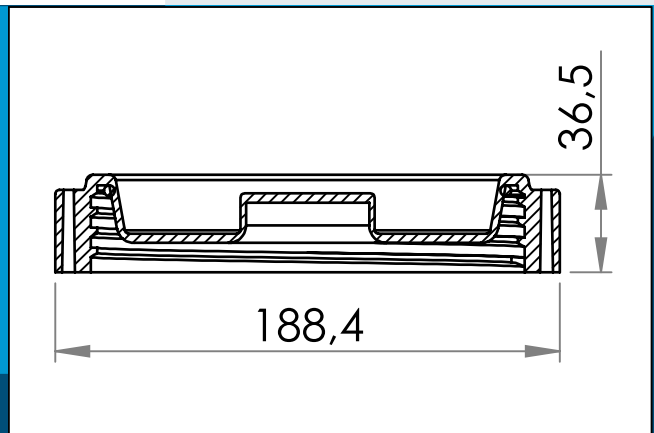




carmo
Your partner in plastic components

03-569 Large, heavy duty HDPE Cap with Gasket, 146 mm

Large, heavy duty cap with 'O' ring. Can be tightened by hand or via external hex head feature. Also sold as a set (03-130) together with nozzle 03-735



Nominal measurements in mm

Large, heavy duty cap with 'O' ring. Can be tightened by hand or via external hex head feature. Typically used In PVC or PVC/PUR containers for filling/emptying and inspection of fluids, powders or granules at low pressure.

Materials: PEHD+Rubbe
Std. packaging: 1 x 70
Fits with: 03-735

Interested in other colors or materials? Please call for quote...



Carmo A/S, Hoejvangen 19, DK-3060 Espergaerde, Denmark
T: +45 4912 2100, F: +45 4912 2199, E: denmark@carmo.dk
www.carmo.dk

More info <http://www.carmo.dk/en/technical-components/neck-flanges-caps/plastic-caps/03-569/>

All geometrical dimensions and functional information are indicative. (Unless tolerances are specified). Carmo is not responsible for misprints and technical changes.
2024-02-28 09:55:19 UTC